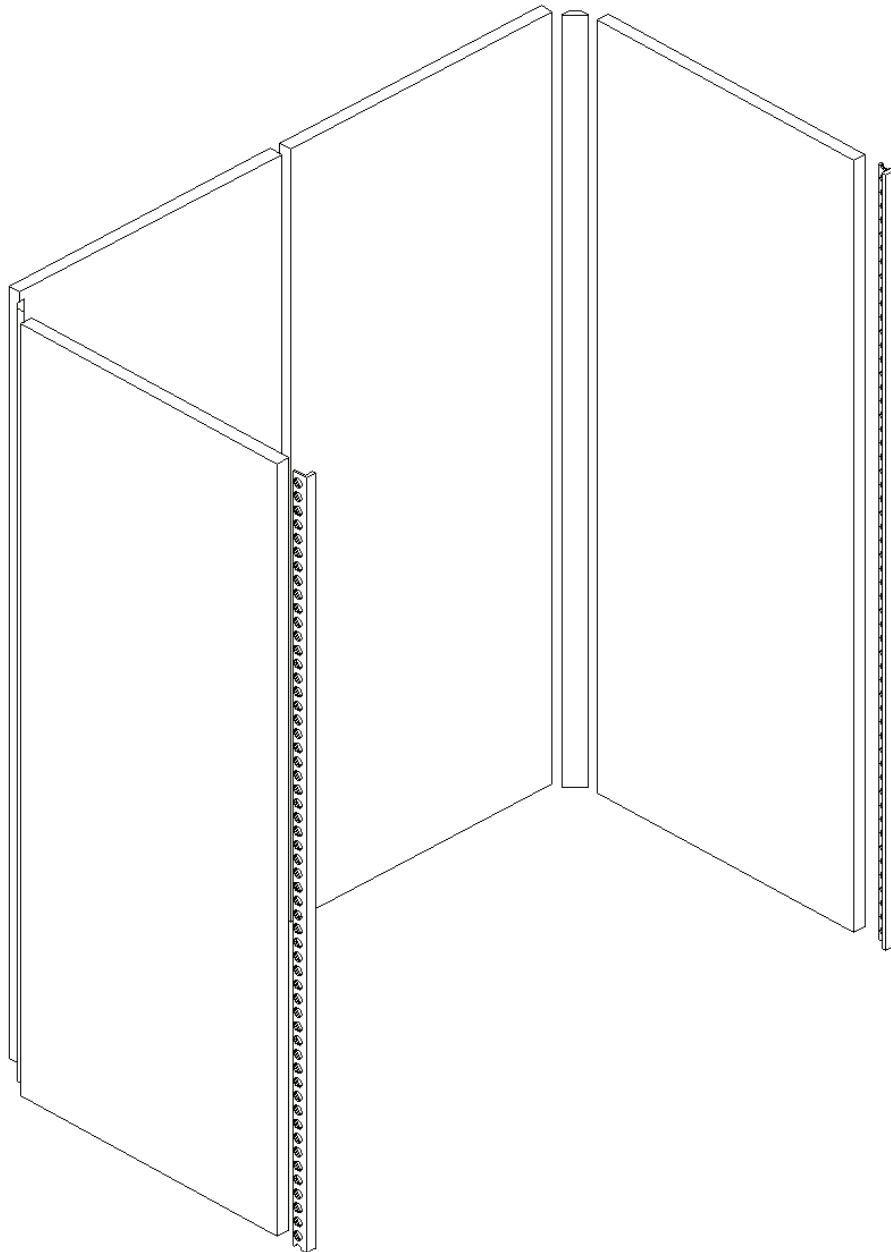




78" - 4 Piece Porcelain Panel Alcove Shower Surround



Installation Instructions

TABLE OF CONTENTS

Safety Information & Warnings	3
Preparation	3
Shower Pan Installation Reuirements	3
Wall Surface Preparation Reuirements	3
Unpacking and Preparing The Porcelain Panels	3
Package Contents	4
Materials Not Provided	4
Recommended Tools Not Provided	5
Installation Instructions	6 - 11
Alternative Installation Options	12
Cut Panel Solution (8-Panels) Installation Instructions	12
Substituting Pre-Mix For Thin-Set	12
Substrate Types	13
Limited Warranty	13
Care Instructions	13

⚠ SAFETY INFORMATION & WARNINGS

WARNING: When cutting the hole for the shower valve, take appropriate safety measures including the use of personal protective equipment. Always wear safety glasses and rubber-palmed gloves while handling, cutting, and drilling.

NOTE: Once the porcelain panels are installed, the gap between the side wall panels and back wall panels found on the inner corners must be a minimum 1/8in but not exceed 3/4in as seen in Fig. 3C.

NOTICE: You must construct the shower enclosure and install the porcelain panels in accordance with local, state, and federal building codes. It must also comply with installation practices prescribed by The Tile Council of North America and ANSI A108.19. Lowe's, the manufacturer, or the distributor will not be held responsible for any breaches of these codes.

PREPARATION

SHOWER PAN INSTALLATION REQUIREMENTS

To install the shower successfully, your shower pan must be level. If the shower pan is not level, the porcelain panels will not align correctly. To ensure your shower pan is level, follow the shower pan manufacturer's installation instructions.

WALL SURFACE PREPARATION REQUIREMENTS

These porcelain panels are designed to be installed over a flat, solid substrate with cement board or other appropriate backing to meet local, state, and federal building codes. A building paper vapor retarder should be applied over studs behind cementitious backer boards.

The substrate should be flat and plumb to within 1/8in (in a 10ft span), or 1/16in (in a 2ft span) as per the Tile Council of America (TCNA) and ANSI guidelines. You can apply a waterproofing membrane if necessary.

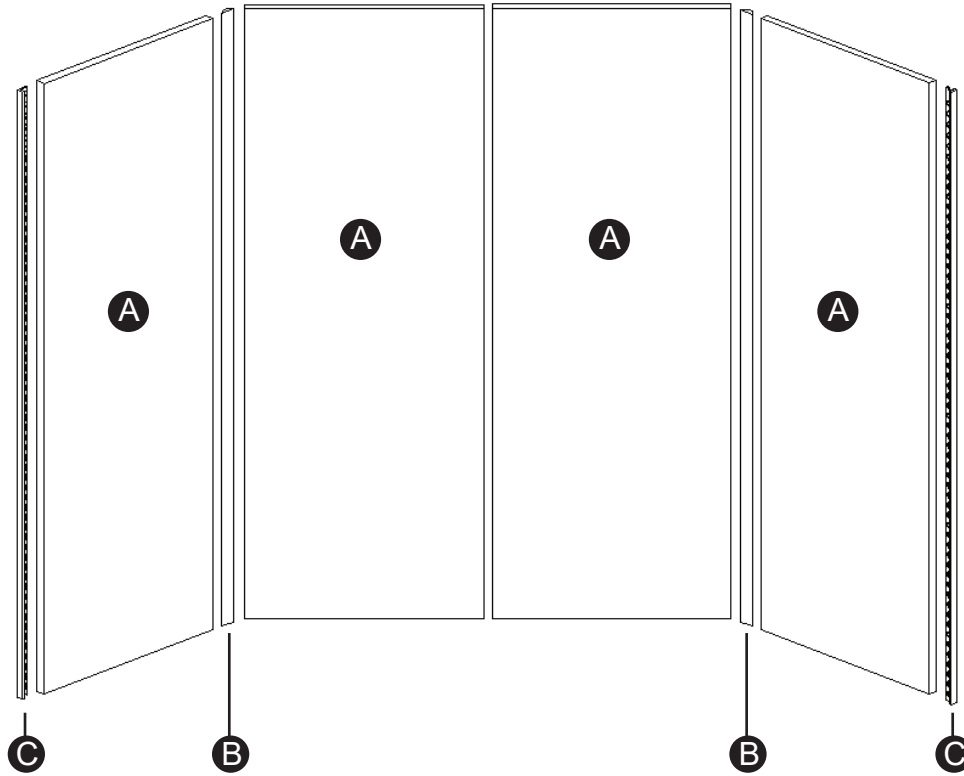
The substrate should also be clean, dry, and free of dust and loose paint. Wipe down the walls with a damp sponge to remove any particles, and then allow them to dry completely before starting the installation.

UNPACKING AND PREPARING THE PORCELAIN PANELS

Carefully move and position the porcelain panels. (We recommend doing this by using two-sided suction cups.) Do not set the porcelain panels on their corners when handling them. When setting a panel on the floor, always place it on a cushioning layer such as heavy cardboard or Styrofoam to protect the edges.

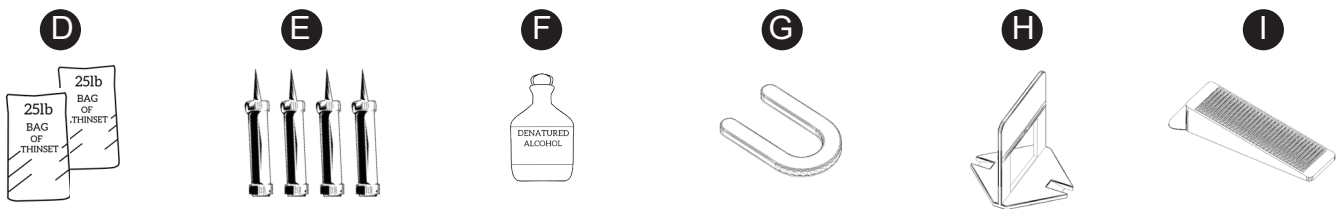
Prepare the panels by wiping them down with a damp sponge to remove any particles, and then allow them to dry completely before starting the installation.

PACKAGE CONTENTS



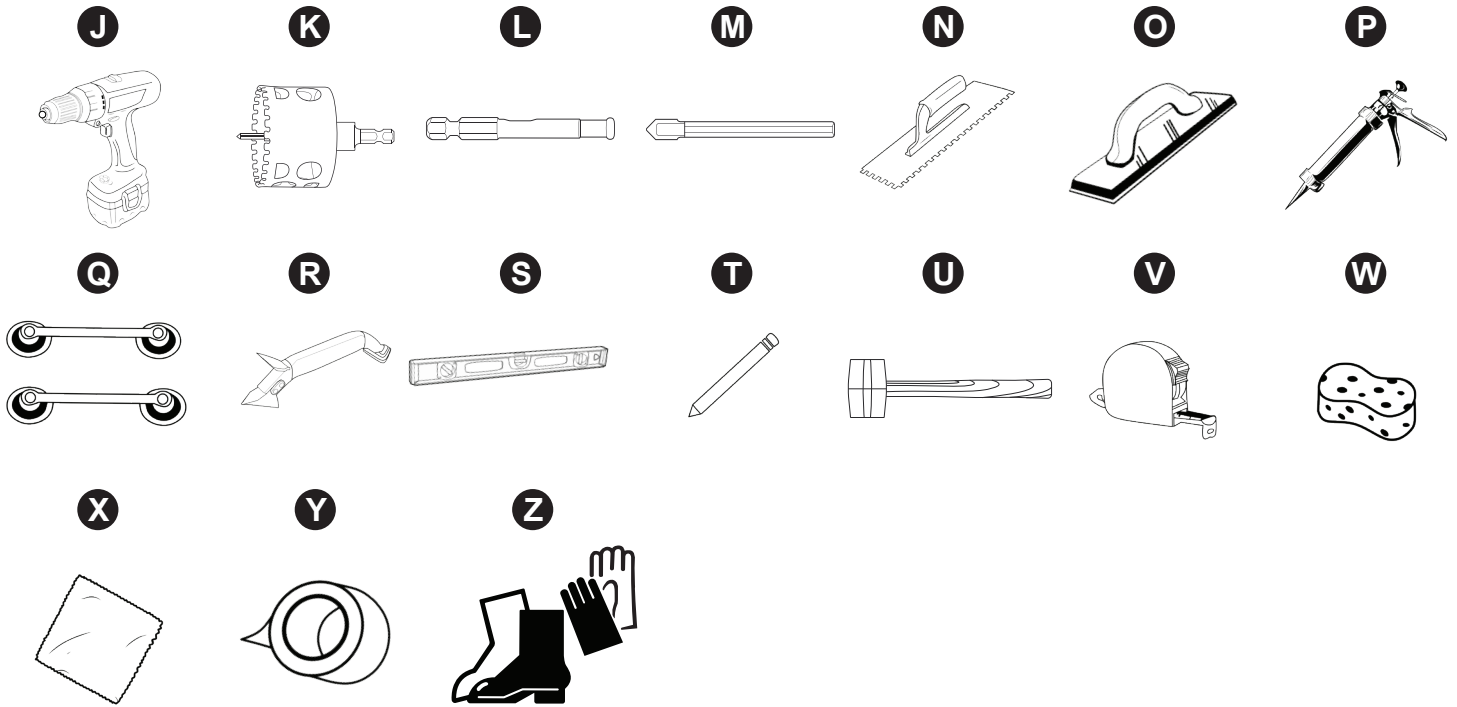
KEY	QTY	DESCRIPTION	DIMENSIONS
A	4	Porcelain Panels	77.5in x 28.62in x 0.24in
B	2	Inside Corner Porcelain Moldings	1.25in x 38.75in
C	2	Aluminum Edge Trims (Can be included or purchased separately)	5/16in x 77.5in

MATERIALS NOT PROVIDED



KEY	QTY	DESCRIPTION
D	2	25lb bags of thin-set for gauged porcelain tile panels
E	4	100% silicone sealant 10-oz tube
F	1	Denatured alcohol, for clean up
G	8	Horseshoe Shim
H	3	Edge Leveling Clip
I	3	Wedge for Edge Leveling Clip

RECOMMENDED TOOLS NOT PROVIDED



KEY	QTY	DESCRIPTION
J	1	Electric Drill
K	1	Diamond Hole Saw (any size under 3.5in diameter) with starter bit
L	1	1/4in Micro Hole-Saw
M	1	1/4in Carbide Drill Bit
N	1	Trowel (the shape will be determined by the thin-set/pre-mix manufacturer's instructions)
O	1	Grout Float
P	1	Caulking Gun
Q	2	Suction Cup Lifting Tool
R	1	Caulking Remover Tool
S	1	Level, 4ft or longer
T	1	Pencil
U	1	Rubber Mallet
V	1	Measuring Tape
W	1	Tile Sponge
X	1	Cleaning Cloth
Y	1	Wide Blue Painters Tape
Z	as needed	Safety Equipment (such as safety glasses, work boots, gloves)

INSTALLATION INSTRUCTIONS

NOTE: Ensure you have read the **SAFETY INFORMATION & WARNINGS** and **PREPARATION** sections on page 3 and all the installation instructions once before beginning.

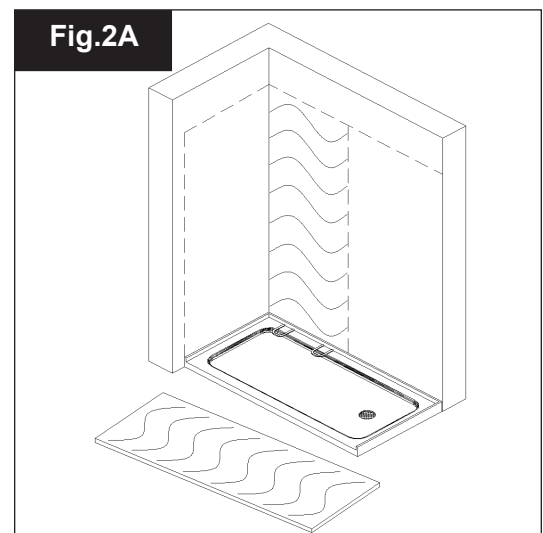
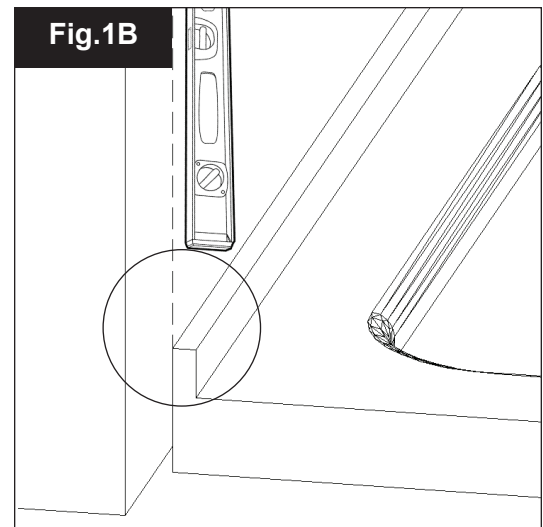
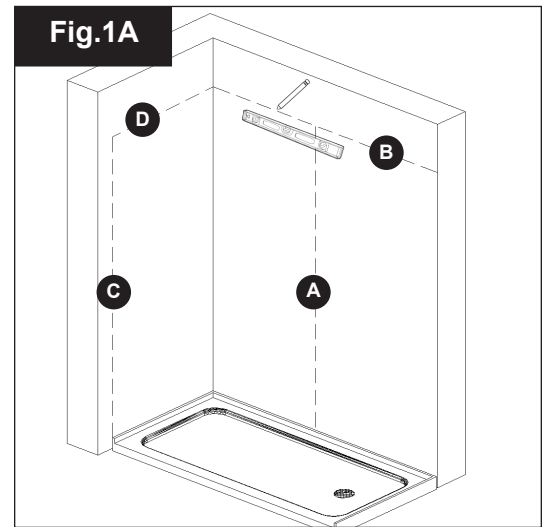
1. Draw out the installation area. You will need a pencil, level, measuring tape, and safety equipment. (Fig. 1A).

- A** Line A: Create Line A by drawing a vertical plumb line in the center of the back wall from the shower pan up to where the panels will end (77.5").
- B** Line B: Next, create Line B by drawing a horizontal line level with the top of Line A across the entire back wall.
- C** Line C: To create two Line Cs, draw vertical plumb lines on both side walls flush with the outside face of the shower pan (see Fig. 1B) up to where the panel will end (77.5").
- D** Line D: Finally, create the two Line Ds by drawing two horizontal lines level with the top of both C Lines that meet Line B on the back wall.

2. Install porcelain panels on the back wall. You will need a trowel, prepared thin-set, two suction cup lifting tools, two horseshoe shims, two edge leveling clips and wedges, tile sponge and water, cleaning cloth, two porcelain panels, and safety equipment.

Follow these steps to install the left or right back panel (it doesn't matter which you install first), and then repeat the instructions to install the other back panel.

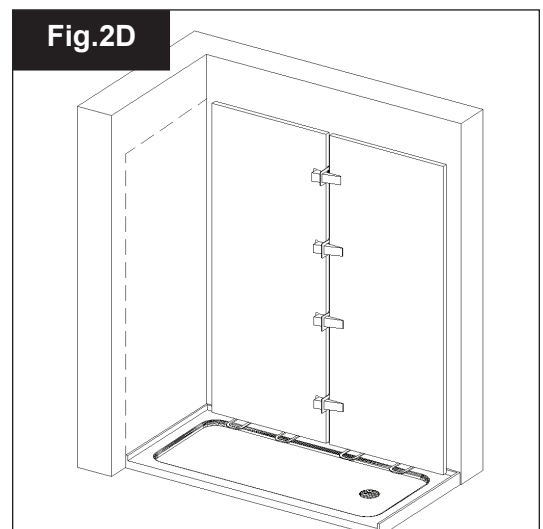
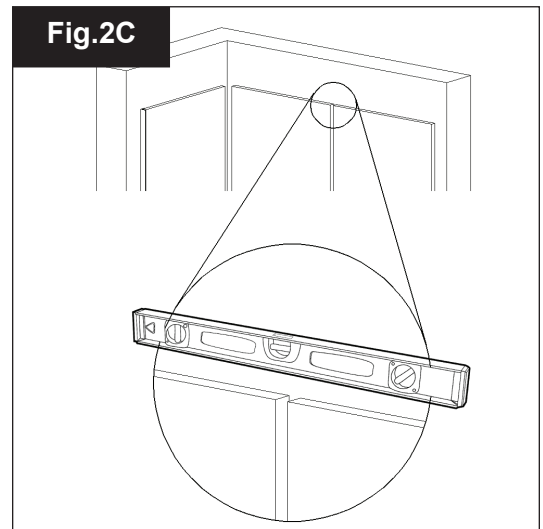
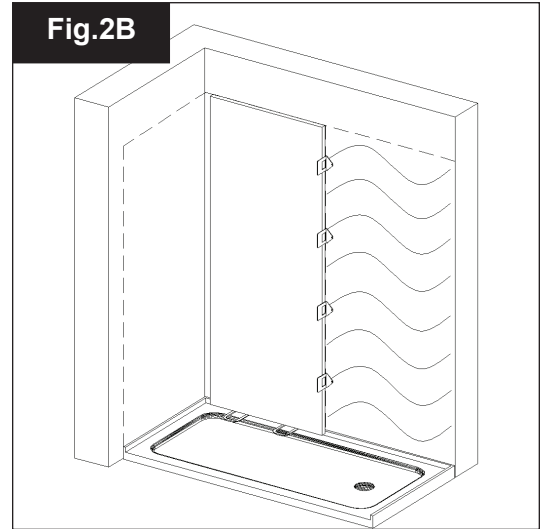
- A** Lay the panel face down on a flat, clean, and rigid surface. Follow the thin-set manufacturer's instructions to apply thin-set to the back of the porcelain panel horizontally using an appropriate trowel. (Fig. 2A)
- B** Use the same technique to apply thin-set horizontally directly onto the back wall. Make sure you stay within the area you marked with pencil in Step #1 A and B. (Fig. 2A)
- C** Place two horseshoe shims on the shower pan where the panel will sit. (Fig. 2A)



INSTALLATION INSTRUCTIONS

2. (Continued)

- D** Using the suction cup lifting tools, grip the front face of the panel and rest it on the horseshoe shims. Gently push the panel so it aligns with Line A from Step #1-A. Once the panel is set, you can only make small corrections using the suction cup lifting tools as you move the panel into its final position. (Fig. 2B)
- E** Place four edge-leveling clips approximately 2ft apart on the inside joint of the back wall. (Fig. 2B)
- F** Use the grout float tool to help flatten and remove any air pockets. Apply gentle and medium taps, starting at the center and moving slowly towards the edges.
- G** Repeat Steps #2 A-D & F for the second porcelain panel.
- H** Ensure the two back wall panels are level. (Fig. 2C)
- I** Insert four wedges into the edge-leveling clips, and apply force until the two porcelain panels are a flat plane. (Fig. 2D)



INSTALLATION INSTRUCTIONS

3. Install porcelain panel on side wall without the shower valve. You will need a trowel, prepared thin-set, rubber mallet, two suction cup lifting tools, two horseshoe shims, tile sponge and water, cleaning cloth, a single porcelain panel, aluminum edge trim, and safety equipment.

Follow these steps to install the side wall panel that will not house the shower valve.

- A** Lay the panel face down on a flat, clean, and rigid surface. Follow the thin-set manufacturer's instructions to apply thin-set horizontally to the back of the porcelain panel using an appropriate trowel. (Fig. 3A)
- B** Use the same technique to apply thin-set horizontally onto the side wall. Make sure you stay within the area you marked with pencil. Do not exceed the drawn installation area marked with pencil in Step #1 C and D.
- C** Place two horseshoe shims on the shower pan where the porcelain panel will sit. (Fig. 3B)
- D** Using the suction cup lifting tools, grip the front face of the porcelain panel and rest it on the horseshoe shims. Gently push the porcelain panel so it aligns with Line C from Step #1 C. Once the panel is set, you can only make small corrections using the suction cup lifting tools as you move the panel into its final position. (Fig. 3B)
- E** Once porcelain panel is in final position, take aluminum edge trim and slide it in-between panel and the side wall. Use a rubber mallet to gently tap it securely into place. It is fully into place when the aluminum edge trim is butted up against the edge of the porcelain panel covering the raw edge of the porcelain.
- F** Use the grout float tool to help flatten and remove any air pockets. Apply gentle and medium taps, starting at the center and moving slowly towards the edges.

NOTE: When the porcelain panels are installed, the gap in the inner corners must be a minimum of 1/8in but not exceed 3/4in as seen in Fig. 3C.

Fig.3A

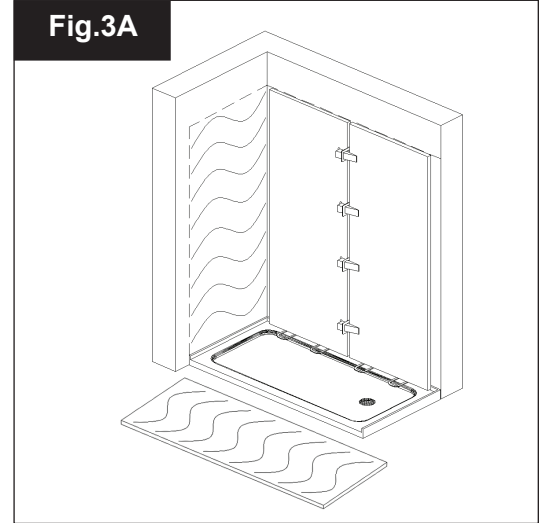


Fig.3B

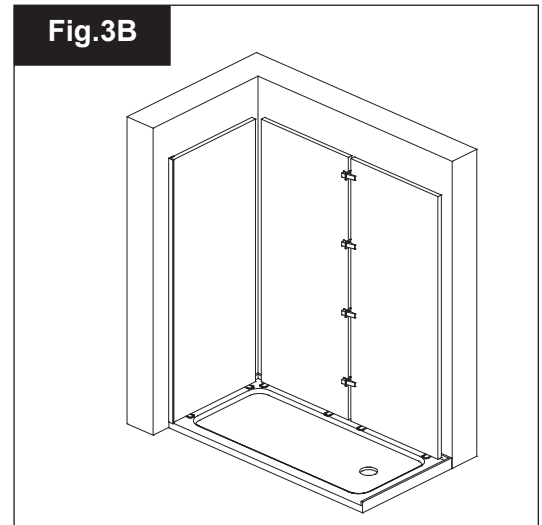
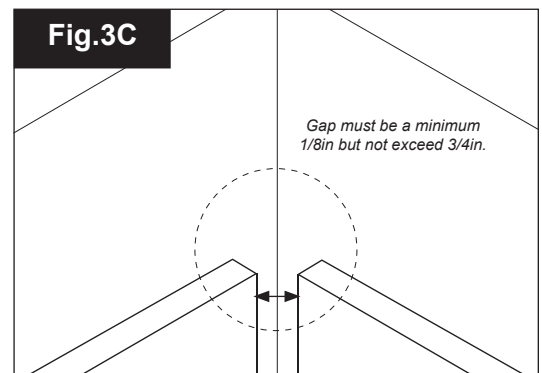


Fig.3C



INSTALLATION INSTRUCTIONS

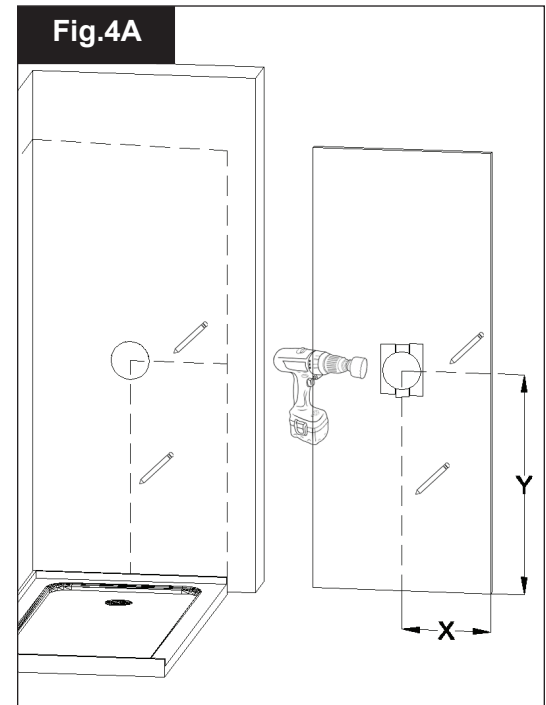
4. Install porcelain panel on side wall with the shower valve. You will need a measuring tape, pencil, blue painters tape, electric drill, 1/4-in carbide drill bit, diamond hole saw, prepared thin-set, tile sponge and water, cleaning cloth, a single porcelain panel, and safety equipment.

Follow these steps to install the side wall panel that will house the shower valve.

- A** Identify the bottom edge of the porcelain panel that will sit on the horseshoe shims placed on the shower pan.
- B** Using a measuring tape and pencil, mark on the substrate where the shower valve comes out of the substrate (horizontally X and vertically Y measurements). (Fig. 4A)
- C** Copy the measurements from Step #4 B onto the face of the porcelain panel using a pencil.
- D** Using blue painter's tape, cover the area to be cut out while leaving the center point exposed on the face of the porcelain panel. (Fig. 4A)
- E** Lay the porcelain panel down on a flat, solid, and rigid surface larger than the porcelain panel, such as an oversized piece of plywood.
Warning: You must do this, or the panel may break.
- F** For maximum control, drill a starter hole using the electric drill and the 1/4-in carbide drill bit. Once start hole is made, use the diamond hole saw to cut the larger hole into the face of the porcelain panel by holding the drill perpendicular to the panel. Begin both the starter hole and larger hole at a low speed to prevent slippage. Once the diamond hole saw penetrates the panel, soak water into the tiny hole and surrounding area using a sponge.

NOTE: The exact size of the hole will depend on the size of the shower valve. However, to avoid cracking or breaking the porcelain panel we recommend the circular hole be no wider than 3 1/2in in diameter.

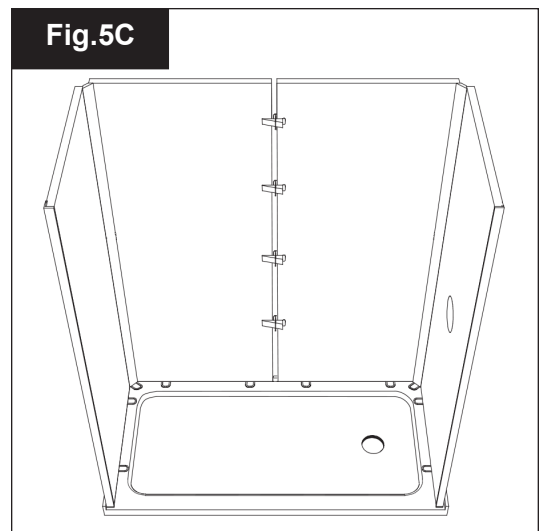
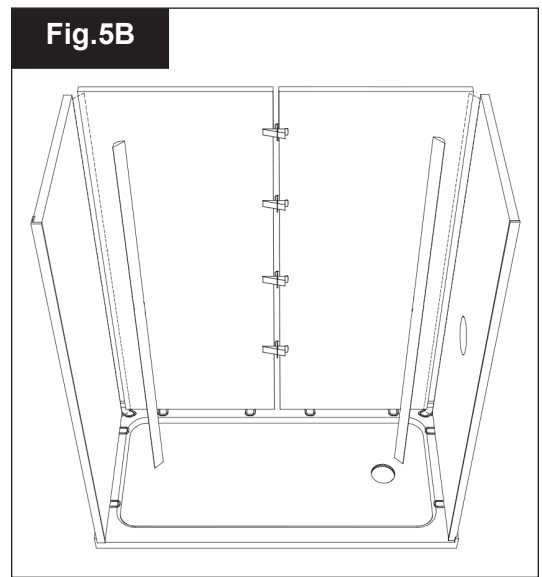
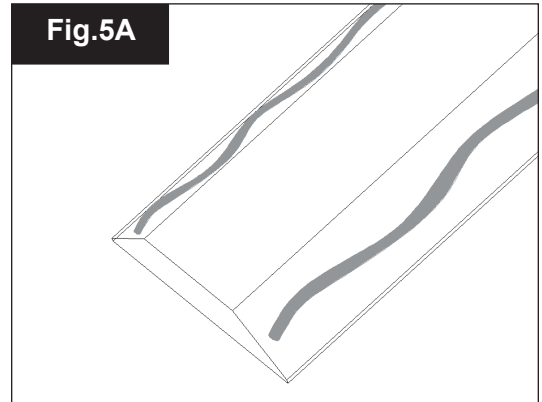
- G** Install the panel by following Step #3 A-F.



INSTALLATION INSTRUCTIONS

5. Installing inside corner porcelain moldings. You will need a caulking gun, 100% silicone sealant, two inside corner porcelain moldings, two horseshoe shims, denatured alcohol, cleaning cloth, caulking removal tool, and safety equipment.

- A** Apply a 1/4in continuous bead to both beveled edges of the molding. (Fig. 5A)
- B** Place one horseshoe shim on the shower pan where the inside corner porcelain molding will sit. (Fig. 5B)
- C** Take one inside corner porcelain molding, with silicone sealant applied, and rest on horseshoe shim sitting on shower pan placed in the corner. Gently press first molding into the bottom of the inside corner.
- D** Quickly use the caulking removal tool and denatured alcohol with a cleaning cloth to remove any excess silicone sealant.
- E** Repeat Steps #5 A-D for the other inside corner and two inside corner porcelain moldings. Once both inside corner porcelain moldings are installed, your shower should look like that shown in Fig. 5C.
- F** Let the silicone sealant cure as per the manufacturer's instructions.

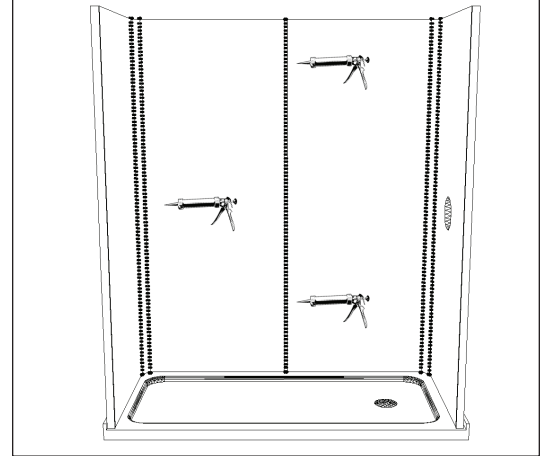


INSTALLATION INSTRUCTIONS

6. Seal all seams with silicone sealant. You will need a rubber mallet, caulking gun, 100% silicone sealant, caulking removal tool, denatured alcohol, cleaning cloth, and safety equipment.

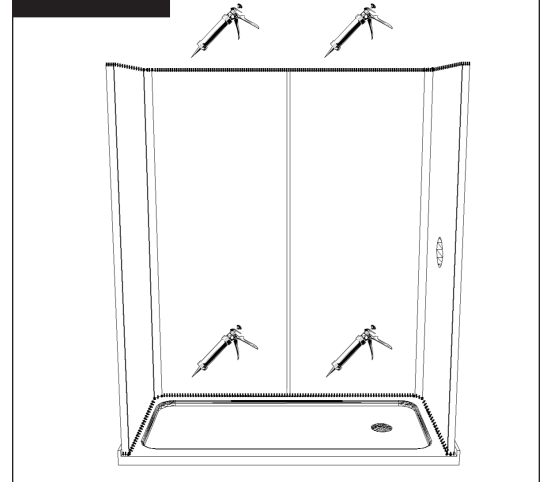
- A** Remove all horseshoe shims and edge leveling clips with wedges. To remove edge leveling clips and wedges, use a rubber mallet to break and knock them off leaving the part of the clip between the substrate and porcelain panel behind.
- B** Apply silicone sealant to all joints and exposed panel edges using caulking gun (Fig. 6A and 6B).
- C** Quickly use the caulking removal tool, tile sponge and water, and cleaning cloth to remove any excess silicone sealant.
- D** Let the silicone sealant cure as per the manufacturer's instructions.

Fig.6A



7. Let the shower panel installation cure. Once you have completed the installation, keep the entire area dry for at least 24 hours to give the thin-set and sealant time to cure.

Fig.6B



Recommended method for drilling holes for shower door hardware.

8. Drill holes for shower door hardware. You will need a pencil, an electric drill, a 1/4in carbide drill, a 1/4in micro hole-saw, a tile sponge and water, and safety equipment.

- A** Determine location of your screw hole and mark porcelain panel using a pencil.
- B** Using the 1/4in carbide drill bit and an electric drill, drill perpendicular to the panel's surface at low speed.
- C** Once the carbide drill penetrates the surface, continue drilling until you have a 1/4in wide starter hole, all while soaking water into the tiny hole and surrounding area.
- D** Change drill bits to a 1/4in micro hole-saw on the electric drill. Soak tiny hole and surface again with water. Drill perpendicular to the panels surface into the same hole at low speed as the micro hole-saw penetrates the surface. Continue to gently oscillate the drill to promote faster and cleaner penetration while soaking the tiny hole and surface with water.
- E** Proceed to install all hardware per manufacturers instructions to ensure a water tight seal.

ALTERNATIVE INSTALLATION OPTIONS

Below are two solutions to assist with common installation challenges. How do you handle large full panels in small installation spaces and can I get smaller panels pre-cut? And can I use a pre-mix adhesives instead of a thin-set to quicken installation time? Diverse Surface Solutions is here to help your project be a successful one while, providing quality porcelain tile to give a beautiful aesthetic.

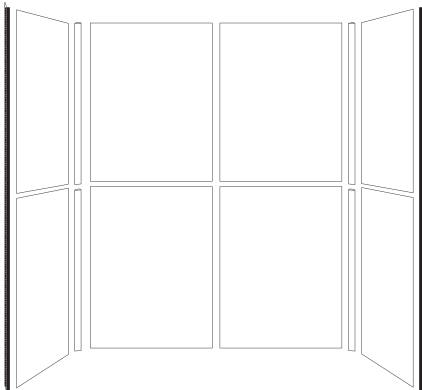
CUT PANEL SOLUTION (8-Panels) INSTALLATION INSTRUCTIONS

The porcelain panels can be cut into smaller panels for custom orders such as to make installation easier for smaller installation spaces or to add additional upper panels to create a floor to ceiling design.

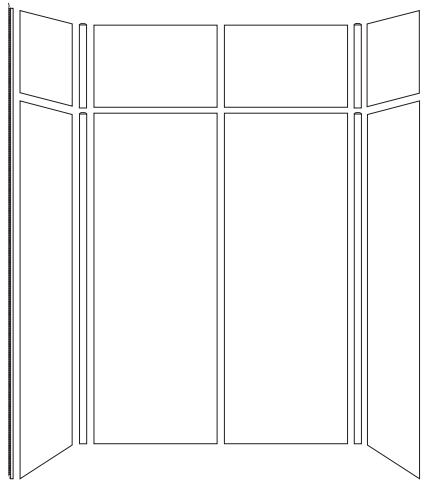
If you purchased the half panel or other custom cut panel options for your project here are some additional instructions to assist in installation.

After step 2-D, you will need to install the second panel on top of the first panel. We suggest installing panels, in the order shown in Figure 9, with two edge leveling clips between each porcelain panel and use a horseshoe shim underneath the bottom of each inside corner porcelain molding. In total you will need 12 self edge leveling clips and 12 horseshoe shims.

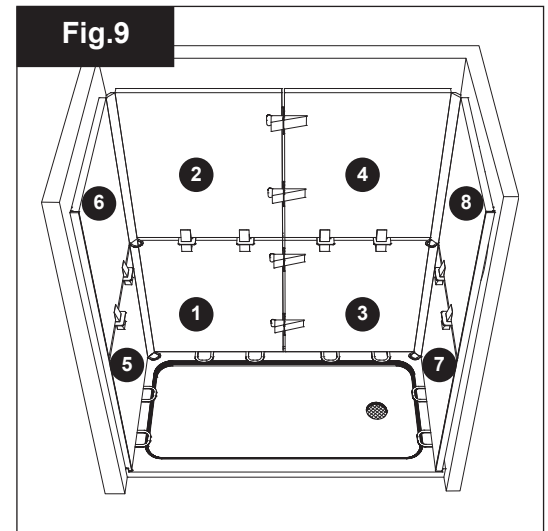
Some examples of cut panel solutions:



Full panels cut to half panels.



Full panels with additional filler panels for a floor to ceiling shower design.



SUBSTITUTING PRE-MIX FOR THIN-SET

Using a pre-mixed, instant grab, quick curing adhesive (like Mapei Ultrabond Eco GPT) is a very acceptable alternative and is highly recommended when faster installation time is required. When using pre-mix during installation you can skip steps 2-B and 3-B. Pre-mix only needs to be troweled onto the back of the panel; do not trowel onto the substrate/wall.

SUBSTRATE TYPES

The 78" - 4 Piece Porcelain Panel Alcove Shower Surround can be installed on a variety of substrates. Consult with ANSI 137.1 guidelines if you want to install porcelain panels onto a substrate other than described in installation instructions above.

LIMITED WARRANTY

Diverse Surface Solution warrants to the original purchaser that this Gauged Porcelain Tile Shower Wall System (wall panels and corner moldings) will be free of manufacturing defects and will meet or exceed the performance standards for Gauged Porcelain Tiles set forth in ANSI 137.1

Wall panels should be installed as per the standards set forth in the latest version of ANSI A108.19 and/or TCNA instructions for gauged porcelain tile installation.

For additional information and warranty details, please contact (714) 587-2644, 8 a.m. - 8 p.m., PST, Monday - Sunday. You could also contact us at support@diversess.com or visit www.diversesurfacesolutions.com.

CARE INSTRUCTIONS

This low-maintenance shower kit is moisture, scratch, and stain resistant. It is impervious and can be cleaned easily using household cleaners to eliminate germs, bacteria, and viruses.

To clean and maintain joint lines, please follow the silicone sealant manufacturer's recommendations.